

m o o o i[®]



Bassotti Sideboard

A combination of practical, light wooden compartments and of classically sculptured legs, the Bassotti sideboards by Marcel Wanders embody the perfect storage solution for any home or office environment. Feel free to explore their potential by re-arranging them in different compositions to your hearts content!

| | |
|-----------------------|---|
| Designer | Marcel Wanders |
| Year of design | 2013 |
| Material | Chipboard with Oak Veneer, Chromed aluminium feet |

detailing

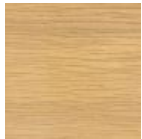


Available in 2 heights

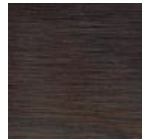


Bassotti sideboards are stackable

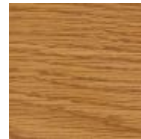
Stain colours



White Wash



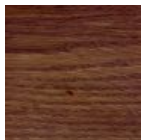
Wenge



Natural Oil



Grey



Cinnamon



Black Stained

Ral Colours

Available RAL Colours:

1004 1013 1023 1027 2000 2002 2004 3012 3015 5003 5008 5024 6010 6021 7001 7011 7035 7044 8001 8014 8016 9005 9010 9016 3003

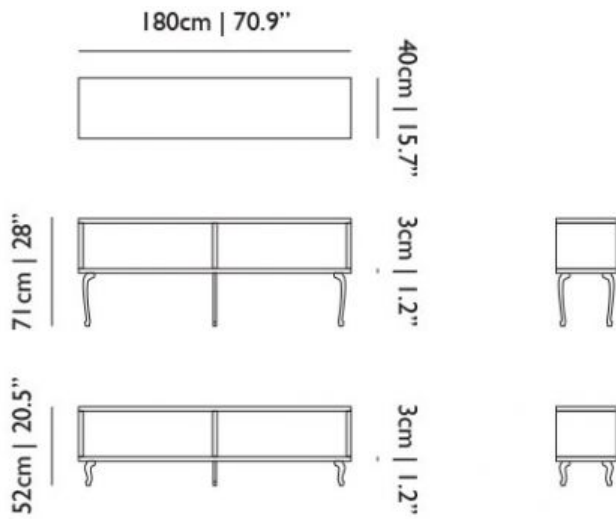
| | | | | | | | |
|--|----------|---|----------|---|----------|---|----------|
|  | RAL 1004 |  | RAL 1013 |  | RAL 1023 |  | RAL 1027 |
|  | RAL 2000 |  | RAL 2002 |  | RAL 2004 |  | RAL 3003 |
|  | RAL 3012 |  | RAL 3015 |  | RAL 5003 |  | RAL 5008 |
|  | RAL 5024 |  | RAL 6010 |  | RAL 6021 |  | RAL 7001 |
|  | RAL 7011 |  | RAL 7035 |  | RAL 7044 |  | RAL 8001 |
|  | RAL 8014 |  | RAL 8016 |  | RAL 9005 |  | RAL 9010 |
|  | RAL 9016 | | | | | | |

cleaning instructions

Moooki recommends using a good furniture polish and a soft cloth. Apply generously in layers to the surface and use the cloth to shine. Do not use abrasive fabrics, gently remove tough stains with warm water and a trusted multi-surface cleaner.

dimensions

Bassotti Sideboard 180 40



Bassotti Sideboard 72 40

